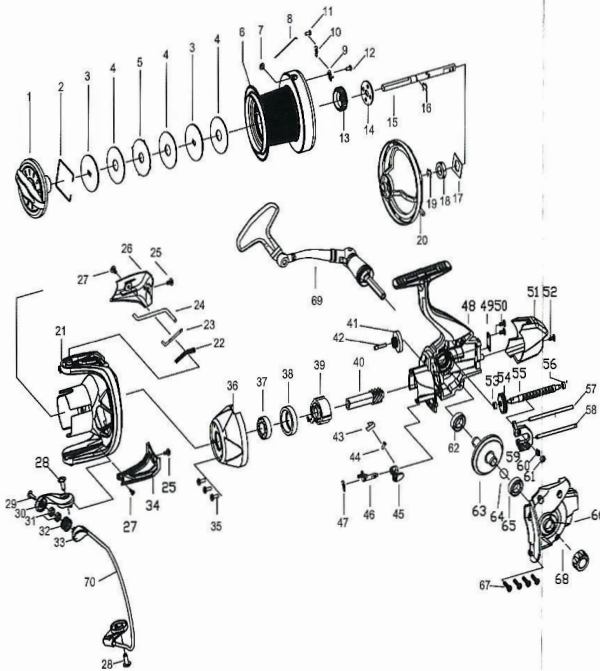


Structure diagram



number	name	number	name
1	Button	37	Gear bearing
2	A pentagonal clasp	38	Corer
3	Flat hole gasket	39	One-way bearings
4	Brake pads	40	Teeth
5	Ear gasket	41	Transmission gear
6	Wheel	42	Gear shaft
7	Line hook	43	Reactionary button shrapnel
8	Line hook spring	44	screw
9	Ticktock.	45	Reactionary button
10	Ticktock spring	46	Reactionary pole
11	Tick screw.	47	One-way pull spring
12	screw	48	main body
13	Tick seat	49	Guide pin pressure plate
14	Tick holder	50	Plate screw
15	principle axis	51	Body back decorative cover
16	E-type clasp	52	Back cover screw
17	Four-corner gasket	53	Guide bearing
18	Heptagonal nut	54	Transmission gear
19	Loose screw	55	Guide bar
20	Blocking coil	56	Guide bearing
21	Line shell	57	Guide-1
22	Bend spring	58	Guide-2
23	Bend shaft	59	Slide
24	Paddle	60	Talons.
25	Side screw	61	Talon bearing
26	Bend side	62	Main bearing
27	Side screw	63	Tooth plate
28	Square seat	64	Tooth plate gasket
29	Throwing wheel screw	65	Main cover bearing
30	Bend seat	66	Main cover
31	Throwing wheel bearings	67	Main cover screw
32	Throwing wheel	68	Rocker cover
33	Throwing nut	69	rocker arm
34	Square side	70	Throwing
35	screw		
36	Enrelope		